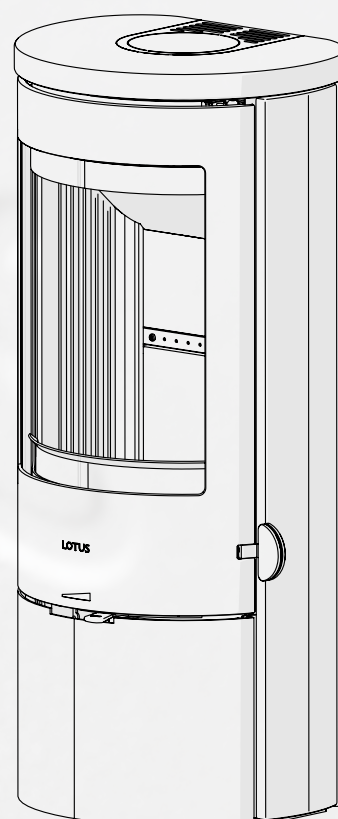
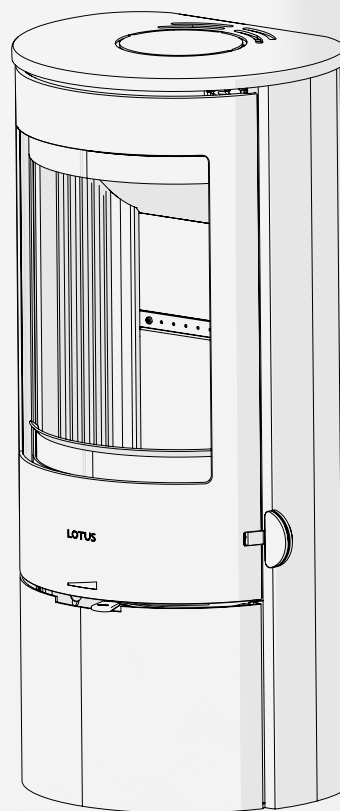
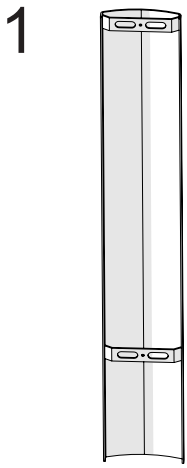


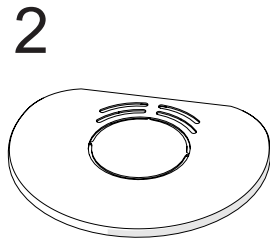
Lotus  
Prestige Basic  
Prestige Basic S



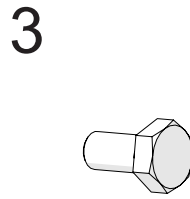
# Prestige Basic



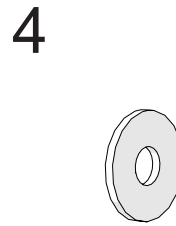
2x 8232



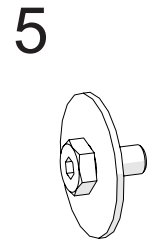
1x 82-0010



2x B-370612

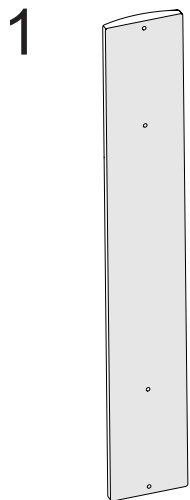


2x B-020008

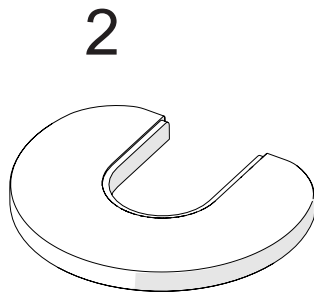


2x B-710612

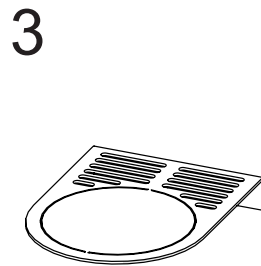
# Prestige Basic S



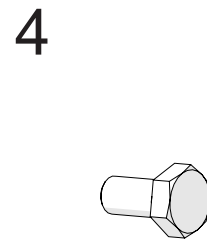
2x 82-502



1x 82-500



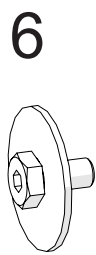
1x 82-0001



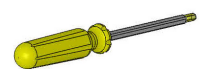
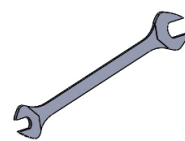
2x B-370612



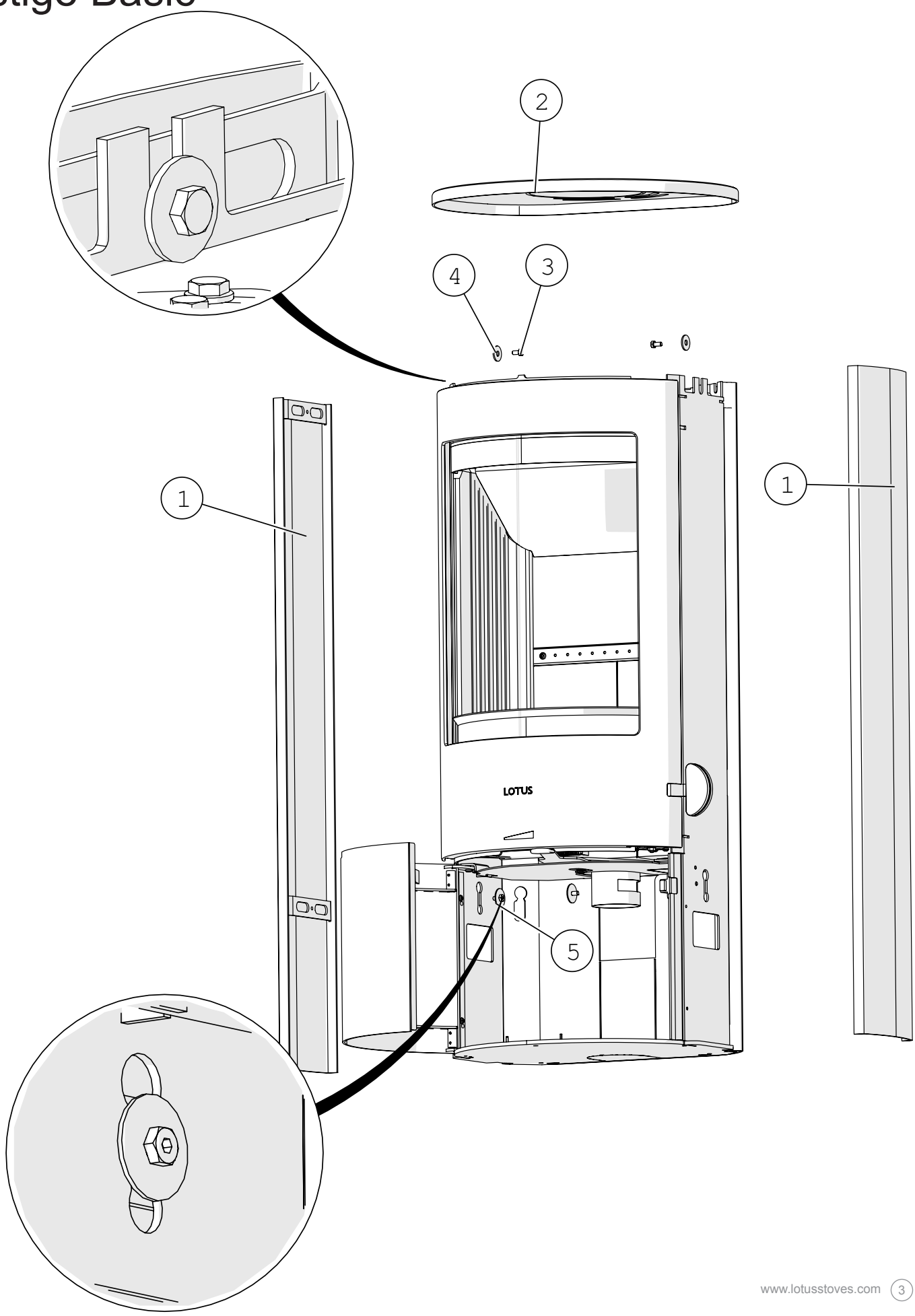
2xB-020008



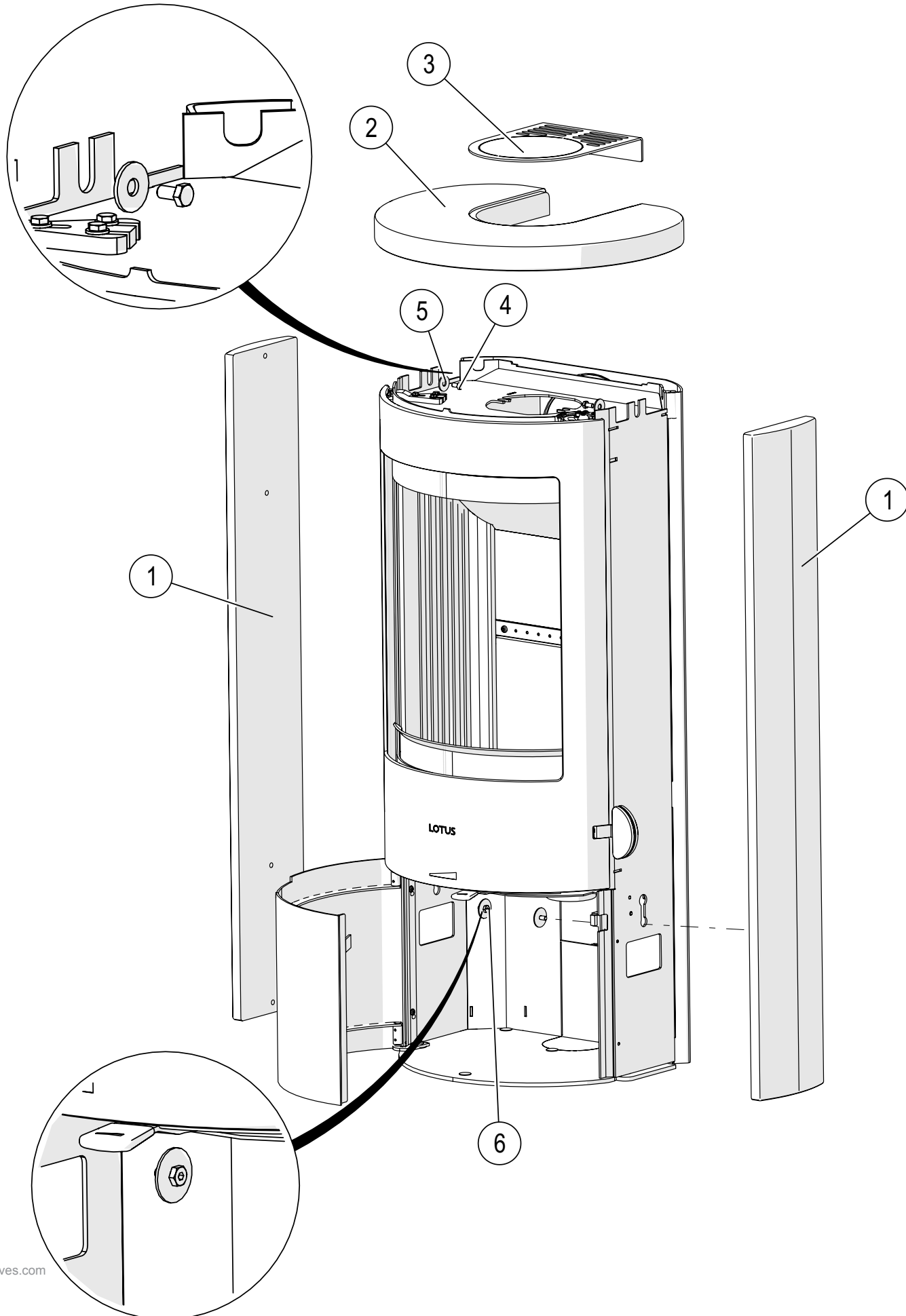
2x B-710612



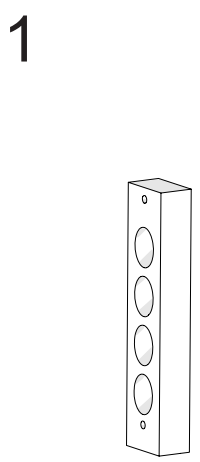
# Prestige Basic



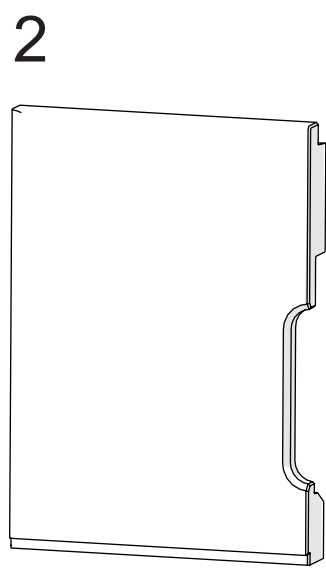
# Prestige Basic S



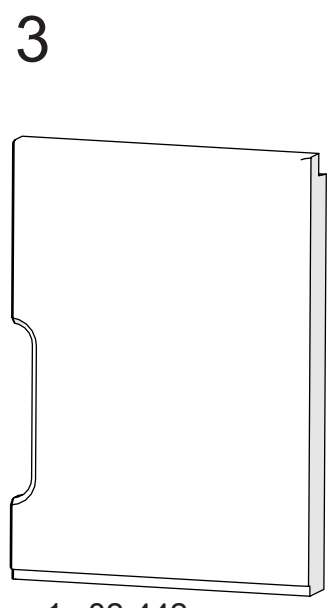
# Option Comfort Boost



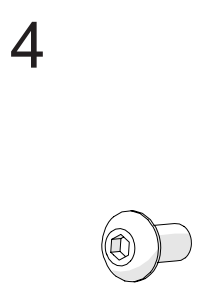
1x 86-326



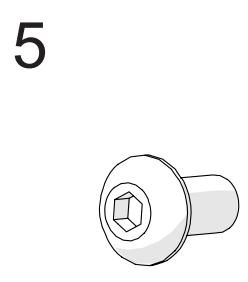
1x 82-443



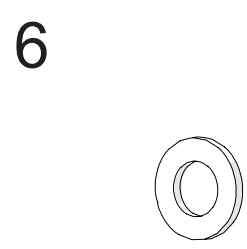
1x 82-442



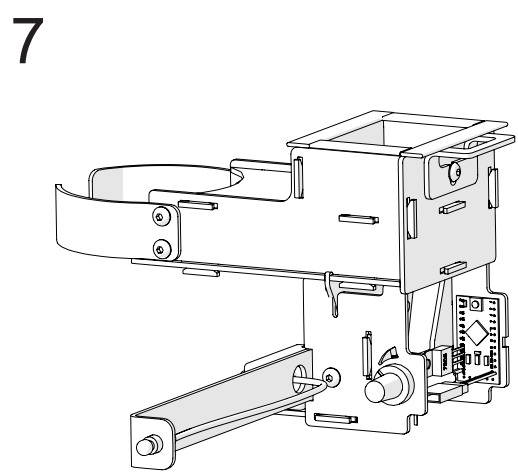
2x B-360408



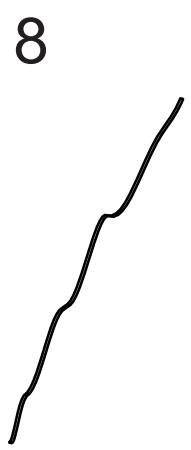
1x B-360510



1x B-010006

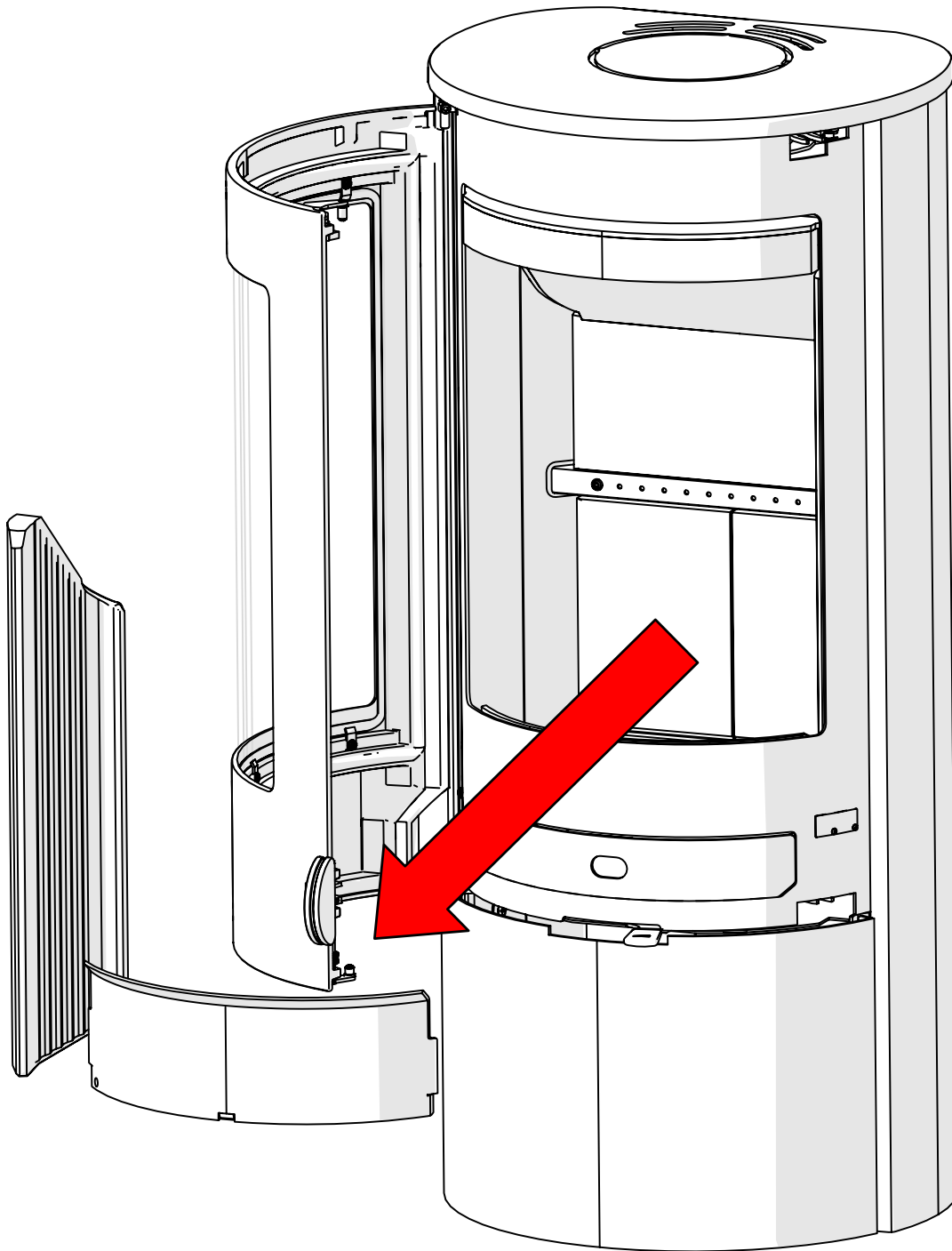


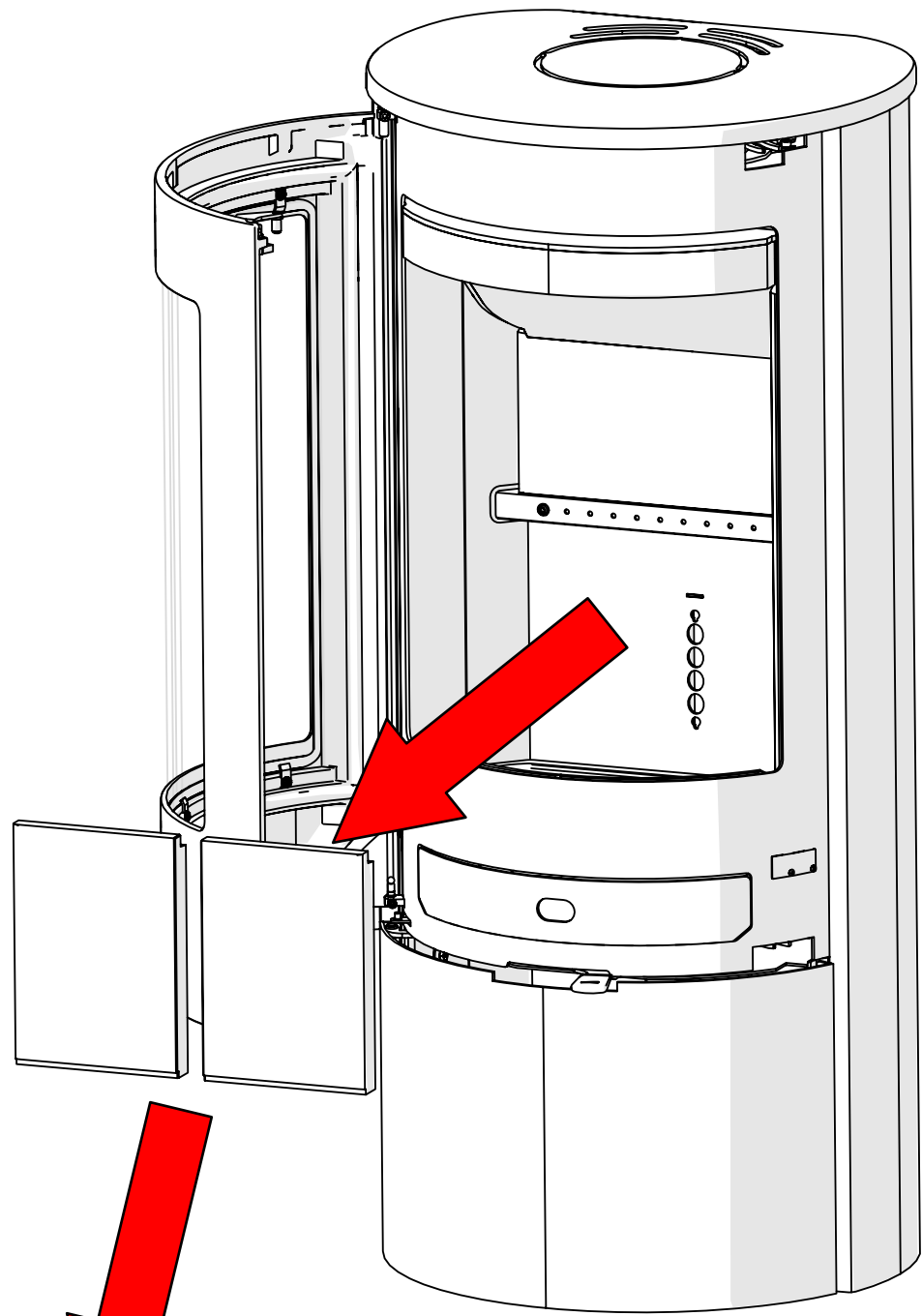
1x 8677

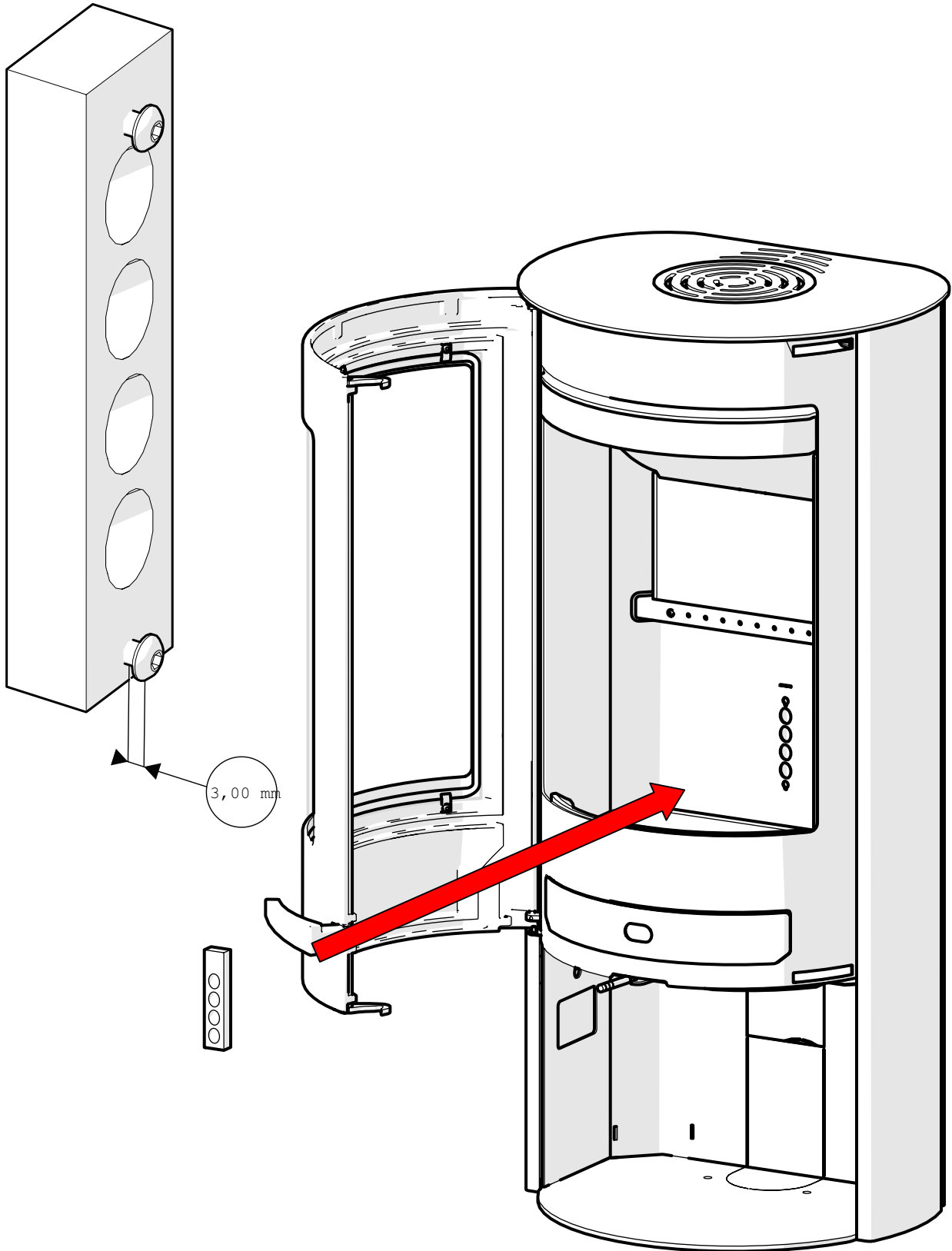


250mmx P-110006

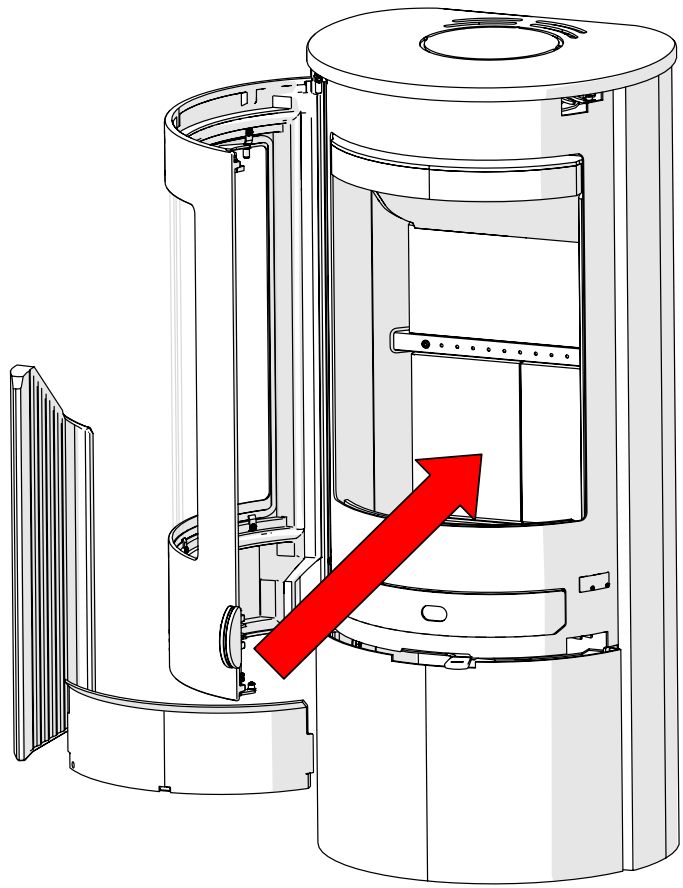
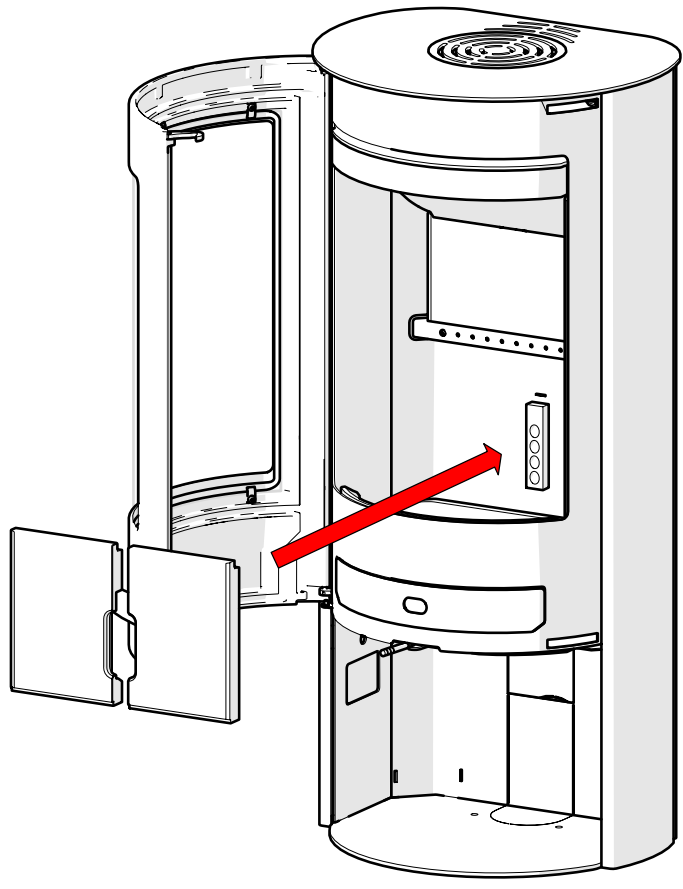


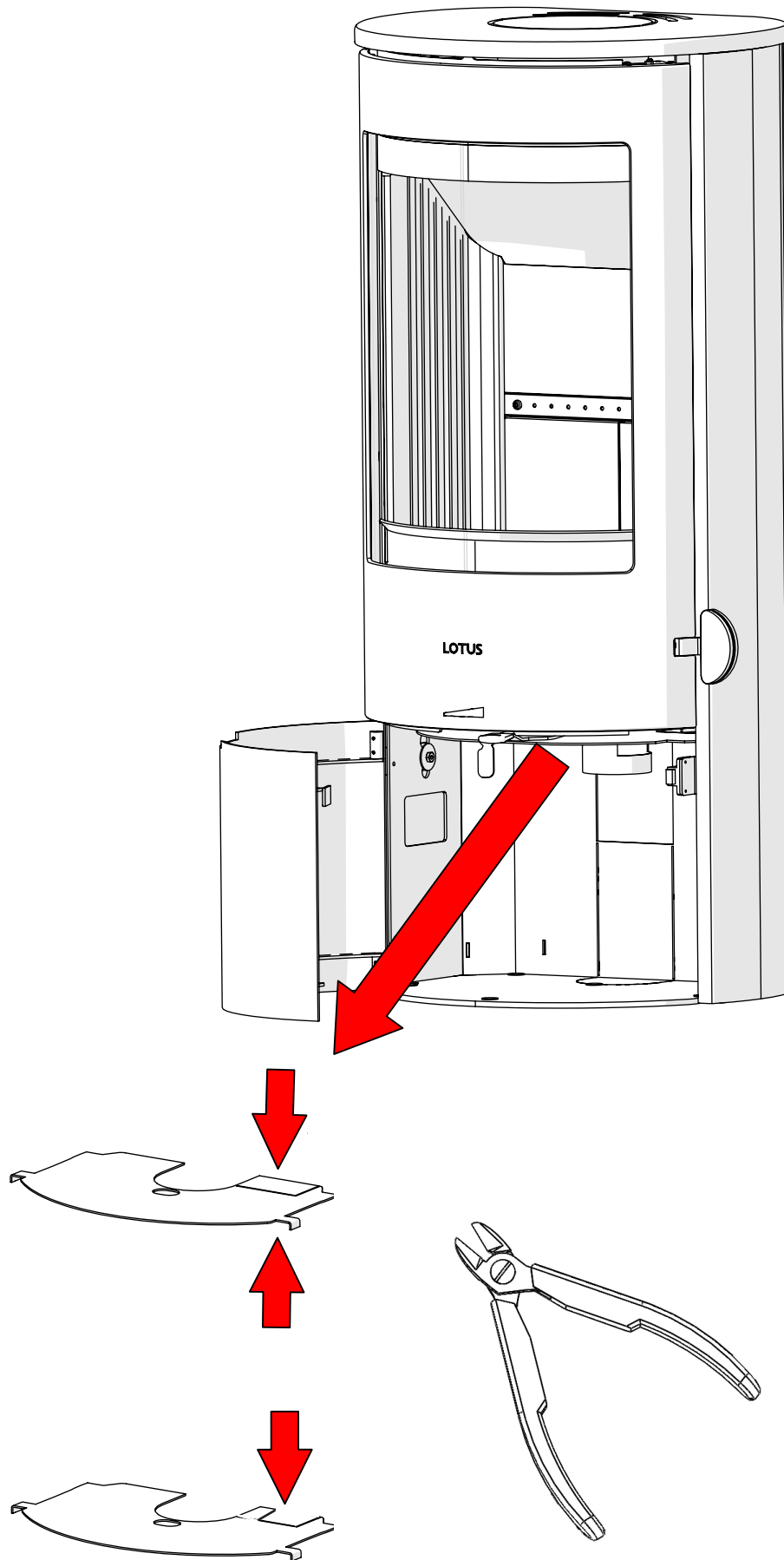


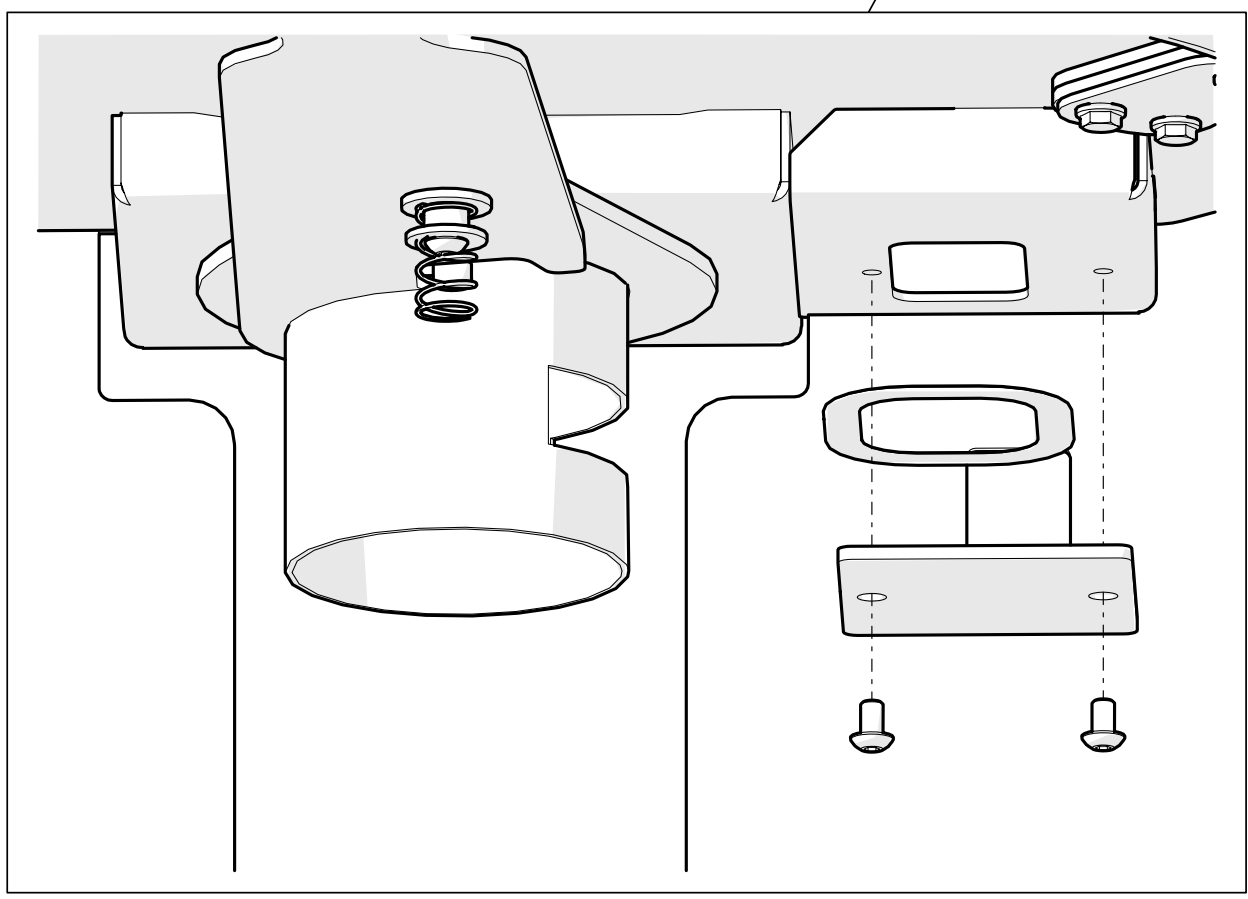
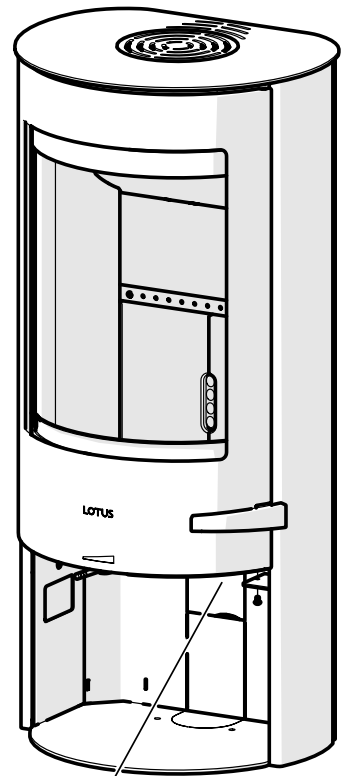


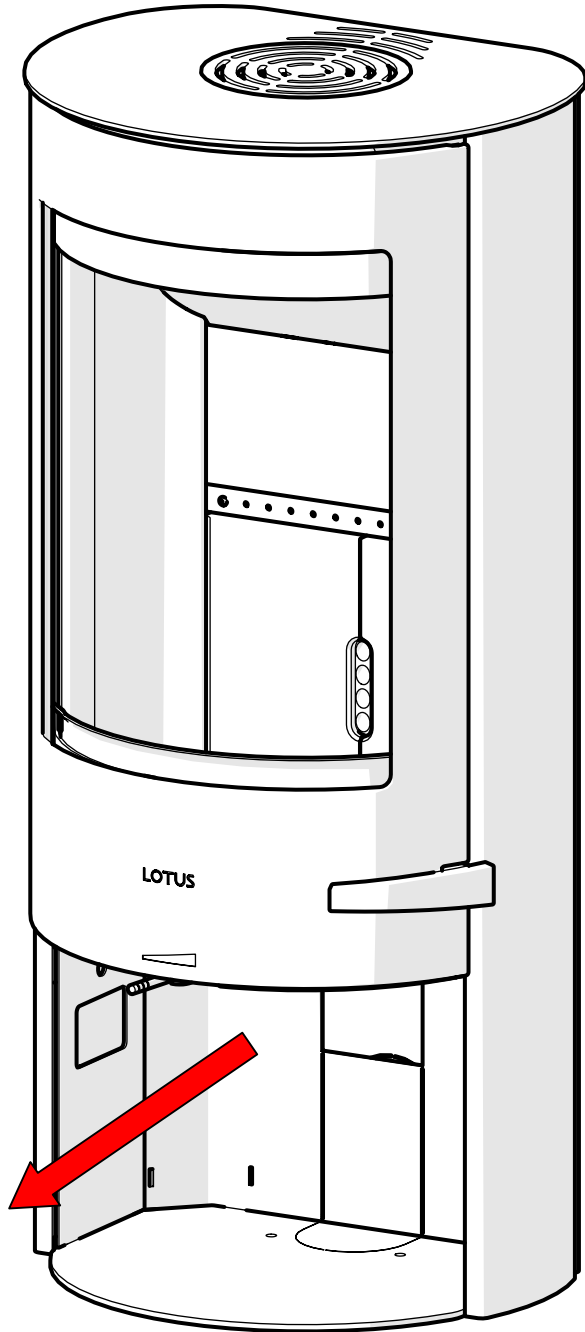










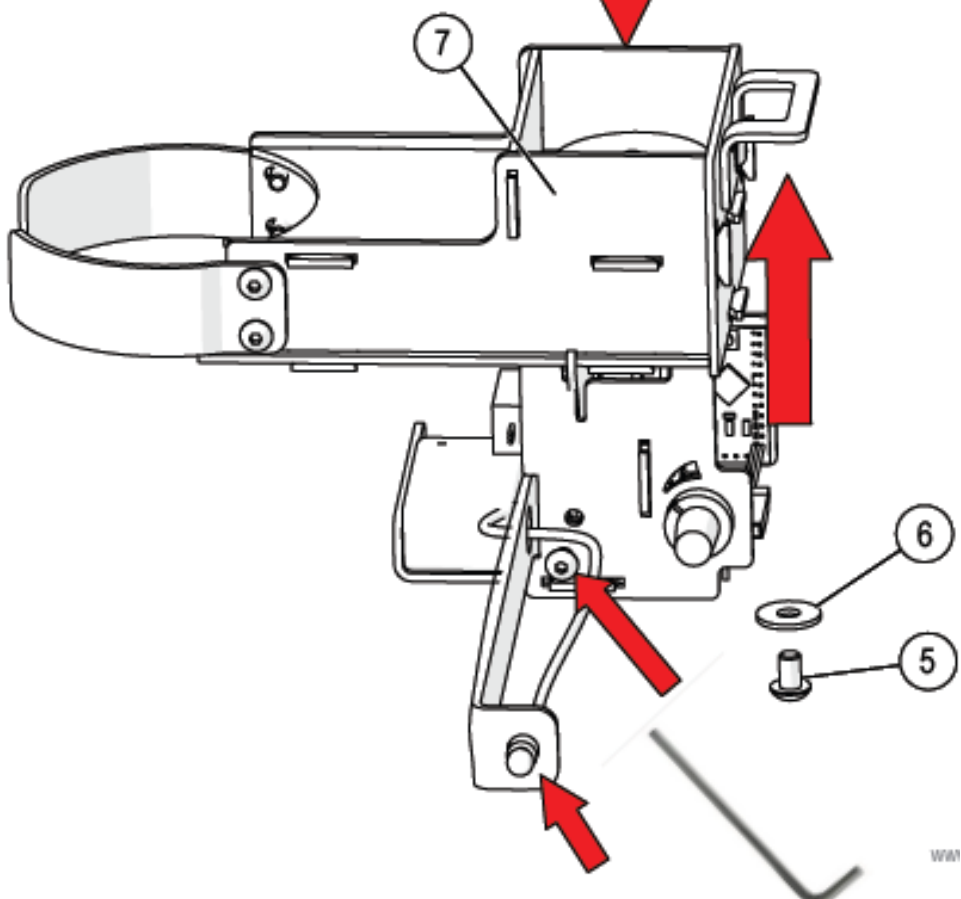
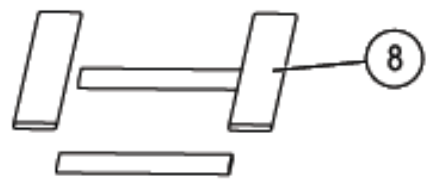




2 x 70 mm



2 x 40 mm



WM

