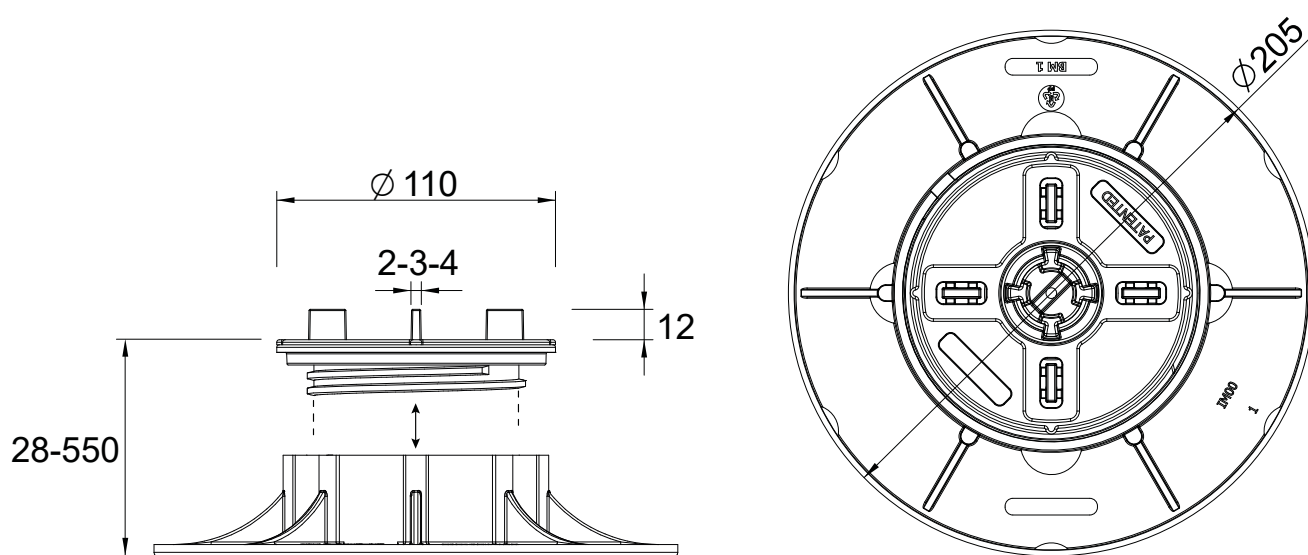


# TECHNICAL DATA SHEET

## - SE FAMILY -



### ITEM SPECIFICATION:

"Eterno" pedestal are composed of 3 elements:

A cylindrical base element of 205mm diameter with holes for water drainage and n. 4 "guide" lines to facilitate the cutting in case of need.

A screw with variable height from 28mm to 550mm, is equipped with an unscrewing safety lock.

A head with n. 4 spacing tabs of 12mm height and 2-3-4mm thickness, easily removable in case of need and a anti slip ribber on the top.

The height adjustment is carried out by our special adjustment key, which acts on the screw independently from both the head and the base.

### PRODUCT RANGE:

#### CHARACTERISTICS:

Adjustable in hightness  
Bi-component material (PP and rubber)  
Regulation key for highness adjustment  
Easy removable tabs

#### RAW MATERIAL:

Polypropylene and rubber (head top finishing)

#### ENVIRONMENTAL IMPACT:

recyclable material - not dangerous

#### APPLICATIONS SURFACES:

On any waterproofing membrane  
On any insulating hard panel  
On any compact and solid surface

#### APPLICATIONS AREA:

Usable with any prefabricated self sustaining element for outdoor flooring, with minimum thickness of 15mm

### GENERAL CHARACTERISTICS & PROPERTIES

	UNIT	VALUE	+/- N°
<b>BASE DIAMETER</b>	mm	205	+/- 1.0
<b>BASE THICKNESS</b>	mm	5	+/- 0.2
<b>HEAD DIAMETER</b>	mm	110	+/- 0.8
<b>SURFACE OF THE BASE</b>	cmq	330	+/- 5
<b>TABS THICKNESS</b>	mm	2-3-4	+/- 0.2
<b>TABS HIGHNESS</b>	mm	12	+/- 0.2
<b>SHORE</b>	Shore d	70	+/- 3
<b>SLOPE CORRECTION</b>		%	0-5
<b>FIRE REACTION*</b>	class	UNI EN**	E
<b>LOW T(°C) REACTION</b>	°C		-40

\*Tests made by Giordano S.p.A. Institute of Bellaria-Igea Marina (RN)-Italy  
\*\*UNI-EN 13501-1:2009

# TECHNICAL DATA SHEET

## - SE FAMILY -



### PARTICULAR CHARACTERISTICS & PROPERTIES

<b>SEO_E240028038</b>	UNIT	VALUE	+/- N°
min HEIGHNESS	mm	28	+/- 1,0
MAX HEIGHNESS	mm	38	+/- 1,5
WEIGHT	kg	0.252	+/- 5 %
MAX CENTRAL COMPRESSION LOADING RESISTANCE*	kN	19.93	/
MAX ECCENTRIC COMPRESSION LOADING RESISTANCE*	kN	11.61	/

<b>PACK/STORAGE</b>	
PIECES PER BOX	25
BOXES PER PALLET	60
BOX DIMENSION	40x40x22cm
BOX WEIGHT	6.4kg
PALLET	80x120cm

<b>SE1_E240037050</b>	UNIT	VALUE	+/- N°
min HEIGHNESS	mm	37.5	+/- 1,0
MAX HEIGHNESS	mm	50	+/- 1,5
WEIGHT	kg	0.320	+/- 5 %
MAX CENTRAL COMPRESSION LOADING RESISTANCE*	kN	16.06	/
MAX ECCENTRIC COMPRESSION LOADING RESISTANCE*	kN	11.49	/

<b>PACK/STORAGE</b>	
PIECES PER BOX	25
BOXES PER PALLET	48
BOX DIMENSION	40x40x28cm
BOX WEIGHT	8kg
PALLET	80x120cm

<b>SE2_E240050075</b>	UNIT	VALUE	+/- N°
min HEIGHNESS	mm	50	+/- 1,0
MAX HEIGHNESS	mm	75	+/- 1,5
WEIGHT	kg	0.352	+/- 5 %
MAX CENTRAL COMPRESSION LOADING RESISTANCE*	kN	16.47	/
MAX ECCENTRIC COMPRESSION LOADING RESISTANCE*	kN	14.04	/

<b>PACK/STORAGE</b>	
PIECES PER BOX	25
BOXES PER PALLET	36
BOX DIMENSION	40x40x34cm
BOX WEIGHT	8.8kg
PALLET	80x120cm

<b>SE3_E240075120</b>	UNIT	VALUE	+/- N°
min HEIGHNESS	mm	75	+/- 1,0
MAX HEIGHNESS	mm	120	+/- 1,5
WEIGHT	kg	0.458	+/- 5 %
MAX CENTRAL COMPRESSION LOADING RESISTANCE*	kN	19.55	/
MAX ECCENTRIC COMPRESSION LOADING RESISTANCE*	kN	15.23	/

<b>PACK/STORAGE</b>	
PIECES PER BOX	25
BOXES PER PALLET	24
BOX DIMENSION	40x60x33cm
BOX WEIGHT	11.45kg
PALLET	80x120cm

<b>SE4_E240120170</b>	UNIT	VALUE	+/- N°
min HEIGHNESS	mm	120	+/- 1,0
MAX HEIGHNESS	mm	170	+/- 1,5
WEIGHT	kg	0.518	+/- 5 %
MAX CENTRAL COMPRESSION LOADING RESISTANCE*	kN	20.98	/
MAX ECCENTRIC COMPRESSION LOADING RESISTANCE*	kN	17.84	/

<b>PACK/STORAGE</b>	
PIECES PER BOX	25
BOXES PER PALLET	20
BOX DIMENSION	40x62x40cm
BOX WEIGHT	13kg
PALLET	80x120cm

<b>SE5_E240170215</b>	UNIT	VALUE	+/- N°
min HEIGHNESS	mm	170	+/- 1,0
MAX HEIGHNESS	mm	215	+/- 1,5
WEIGHT	kg	0.609	+/- 5 %
MAX CENTRAL COMPRESSION LOADING RESISTANCE*	kN	18.67	/
MAX ECCENTRIC COMPRESSION LOADING RESISTANCE*	kN	14.62	/

<b>PACK/STORAGE</b>	
PIECES PER BOX	25
BOXES PER PALLET	20
BOX DIMENSION	40x62x40cm
BOX WEIGHT	15.2kg
PALLET	80x120cm

# TECHNICAL DATA SHEET

## - SE FAMILY -



### PARTICULAR CHARACTERISTICS & PROPERTIES

<b>SE6_E240140230</b>	UNIT	VALUE	+/- N°
min HEIGHNESS	mm	140	+/- 1,0
MAX HEIGHNESS	mm	230	+/- 1,5
WEIGHT	kg	0.694	+/- 5 %
MAX CENTRAL COMPRESSION LOADING RESISTANCE*	kN	16.3	/
MAX ECCENTRIC COMPRESSION LOADING RESISTANCE*	kN	10.71	/

<b>PACK/STORAGE</b>	
PIECES PER BOX	25 SE3 + 25 P1
BOXES PER PALLET	24 / 42
BOX DIMENSION	40x60x33cm / 29.5x39x39cm
BOX WEIGHT	11.45kg + 5.9kg
PALLET	80x120cm

<b>SE7_E240185275</b>	UNIT	VALUE	+/- N°
min HEIGHNESS	mm	185	+/- 1,0
MAX HEIGHNESS	mm	275	+/- 1,5
WEIGHT	kg	0.754	+/- 5 %
MAX CENTRAL COMPRESSION LOADING RESISTANCE*	kN	16.14	/
MAX ECCENTRIC COMPRESSION LOADING RESISTANCE*	kN	12.28	/

<b>PACK/STORAGE</b>	
PIECES PER BOX	25 SE4 + 25 P1
BOXES PER PALLET	20 / 42
BOX DIMENSION	40x62x40cm / 29.5x39x39cm
BOX WEIGHT	13kg + 5.9kg
PALLET	80x120cm

<b>SE8_E240235325</b>	UNIT	VALUE	+/- N°
min HEIGHNESS	mm	235	+/- 1,0
MAX HEIGHNESS	mm	325	+/- 1,5
WEIGHT	kg	0.845	+/- 5 %
MAX CENTRAL COMPRESSION LOADING RESISTANCE*	kN	15.02	/
MAX ECCENTRIC COMPRESSION LOADING RESISTANCE*	kN	12.68	/

<b>PACK/STORAGE</b>	
PIECES PER BOX	25 SE5 + 25 P1
BOXES PER PALLET	20 / 42
BOX DIMENSION	40x62x40cm / 29.5x39x39cm
BOX WEIGHT	15.2kg + 5.9kg
PALLET	80x120cm

<b>SE9_E240205345</b>	UNIT	VALUE	+/- N°
min HEIGHNESS	mm	205	+/- 1,0
MAX HEIGHNESS	mm	345	+/- 1,5
WEIGHT	kg	0.93	+/- 5 %
MAX CENTRAL COMPRESSION LOADING RESISTANCE*	kN	15.32	/
MAX ECCENTRIC COMPRESSION LOADING RESISTANCE*	kN	11.01	/

<b>PACK/STORAGE</b>	
PIECES PER BOX	25 SE3 + 25 P1(X2)
BOXES PER PALLET	24 / 42
BOX DIMENSION	40x60x33cm / 29.5x39x39cm
BOX WEIGHT	11.45kg + 5.9kg(X2)
PALLET	80x120cm

<b>SE10_E240250385</b>	UNIT	VALUE	+/- N°
min HEIGHNESS	mm	250	+/- 1,0
MAX HEIGHNESS	mm	385	+/- 1,5
WEIGHT	kg	0.99	+/- 5 %
MAX CENTRAL COMPRESSION LOADING RESISTANCE*	kN	14.95	/
MAX ECCENTRIC COMPRESSION LOADING RESISTANCE*	kN	12.30	/

<b>PACK/STORAGE</b>	
PIECES PER BOX	25 SE4 + 25 P1(X2)
BOXES PER PALLET	20 / 42
BOX DIMENSION	40x62x40cm / 29.5x39x39cm
BOX WEIGHT	13kg + 5.9kg(X2)
PALLET	80x120cm

<b>SE11_E240300400</b>	UNIT	VALUE	+/- N°
min HEIGHNESS	mm	300	+/- 1,0
MAX HEIGHNESS	mm	400	+/- 1,5
WEIGHT	kg	1.08	+/- 5 %
MAX CENTRAL COMPRESSION LOADING RESISTANCE*	kN	15.02	/
MAX ECCENTRIC COMPRESSION LOADING RESISTANCE*	kN	13.81	/

<b>PACK/STORAGE</b>	
PIECES PER BOX	25 SE5 + 25 P1(X2)
BOXES PER PALLET	20 / 42
BOX DIMENSION	40x62x40cm / 29.5x39x39cm
BOX WEIGHT	15.2kg + 5.9kg(X2)
PALLET	80x120cm

# TECHNICAL DATA SHEET

## - SE FAMILY -



### PARTICULAR CHARACTERISTICS & PROPERTIES

<b>SE12_E240270455</b>	UNIT	VALUE	+/- N°
min HEIGHNESS	mm	270	+/- 1,0
MAX HEIGHNESS	mm	455	+/- 1,5
WEIGHT	kg	1.17	+/- 5 %
MAX CENTRAL COMPRESSION LOADING RESISTANCE*	kN	15.85	/
MAX ECCENTRIC COMPRESSION LOADING RESISTANCE*	kN	11.13	/

<b>PACK/STORAGE</b>	
PIECES PER BOX	25 SE3 + 25 P1(X3)
BOXES PER PALLET	24 / 42
BOX DIMENSION	40x60x33cm / 29.5x39x39cm
BOX WEIGHT	11.45kg + 5.9kg(X3)
PALLET	80x120cm

<b>SE13_E240315500</b>	UNIT	VALUE	+/- N°
min HEIGHNESS	mm	315	+/- 1,0
MAX HEIGHNESS	mm	500	+/- 1,5
WEIGHT	kg	1.23	+/- 5 %
MAX CENTRAL COMPRESSION LOADING RESISTANCE*	kN	16.06	/
MAX ECCENTRIC COMPRESSION LOADING RESISTANCE*	kN	11.49	/

<b>PACK/STORAGE</b>	
PIECES PER BOX	25 SE4 + 25 P1(X3)
BOXES PER PALLET	20 / 42
BOX DIMENSION	40x62x40cm / 29.5x39x39cm
BOX WEIGHT	13kg + 5.9kg(X3)
PALLET	80x120cm

<b>SE14_E240365550</b>	UNIT	VALUE	+/- N°
min HEIGHNESS	mm	365	+/- 1,0
MAX HEIGHNESS	mm	550	+/- 1,5
WEIGHT	kg	1.32	+/- 5 %
MAX CENTRAL COMPRESSION LOADING RESISTANCE*	kN	16.07	/
MAX ECCENTRIC COMPRESSION LOADING RESISTANCE*	kN	11.92	/

<b>PACK/STORAGE</b>	
PIECES PER BOX	25 SE5 + 25 P1(X3)
PIECES PER PALLET	20 / 42
BOX DIMENSION	40x62x40cm / 29.5x39x39cm
BOX WEIGHT	15.2kg + 5.9kg(X3)
PALLET	80x120cm

\*Tests made by Civil and Environmental Department of University of Padova. 1 kN = 98,6 kg

The above data are relevant to current production and may be changed or updated by Eterno Ivica at any time without notice. Given the many possible uses and the possible interference of external elements, we do not assume responsibility for the results. The buyer is required to establish under their own responsibility the suitability of the product for the intended use. This document is property of Eterno Ivica. All rights reserved.

