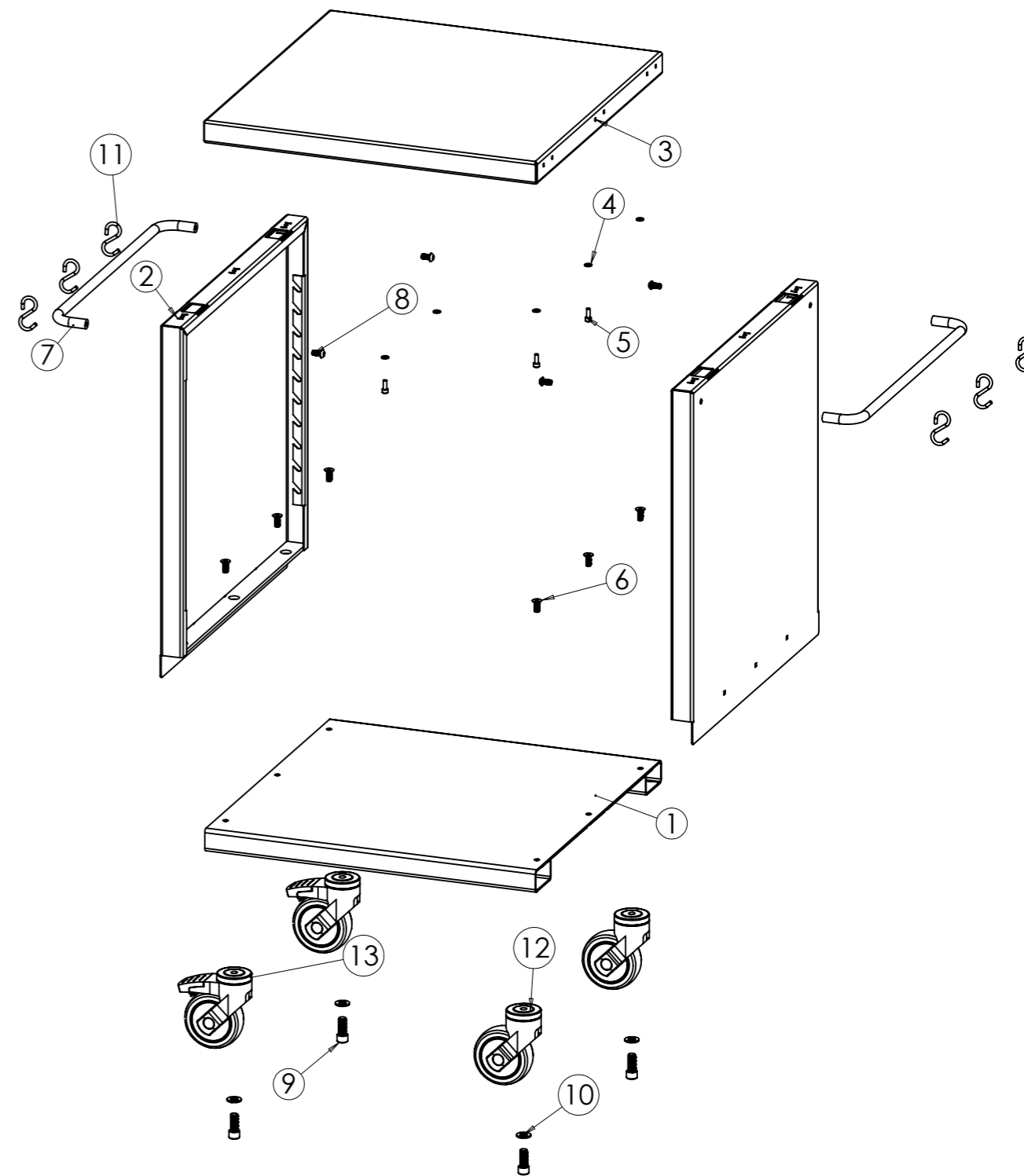
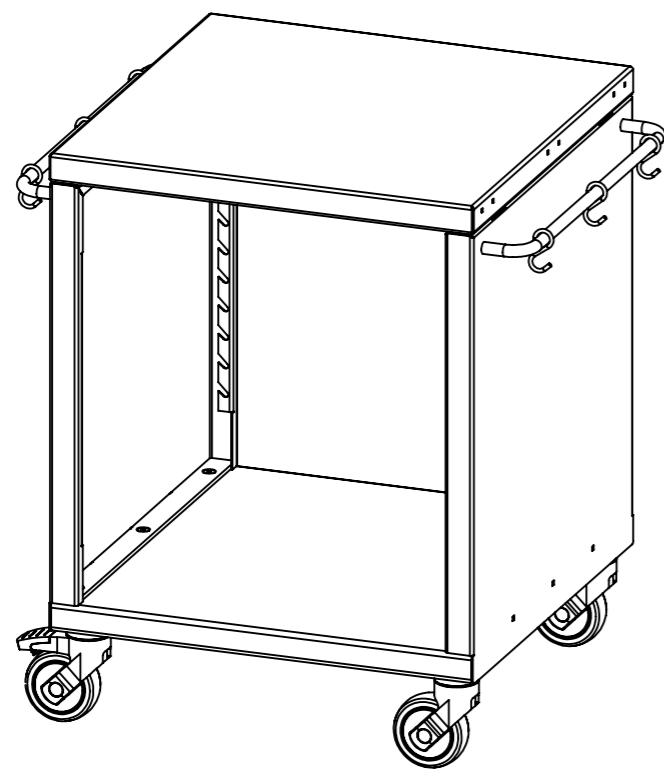


ITEM NO.	Drawing no.	Sparepart	Item no.	Description - DK	Description - ENG	QTY.
1	9001-411	X	71907600	Bundplade	Bottom plate	1
2	9001-410	X	71907200	Side plade	Side plate	2
3	9001-415	X	71907400	Top plade	Top plate	1
4	-	-	-	A6.4 Plan skive - DIN 125	A6.4 Plain washer - DIN 125	6
5	-	-	-	M6x16 - DIN 912	M6x16 - DIN 912	6
6	-	-	-	M8x20 - DIN 7991	M8x20 - DIN 7991	6
7	9001-412	X	71907700	Håndtag f. sider	Handle f. sideplate	2
8	-	-	-	M8x16 - ISO 7380	M8x16 - ISO 7380	4
9	-	-	-	M12x30 - DIN 912	M12x30 - DIN 912	4
10	-	-	-	A13 Plan skive - DIN 125	A13 Plain washer - DIN 125	4
11	9001-019	X	57908500	Krog - Udeovn	Hook - Outdoor fireplace	6
12	-	X	71907100	Hjul uden bremse	Wheel without brake	2
13	-	X	71907000	Hjul med bremse	Wheel with brake	2

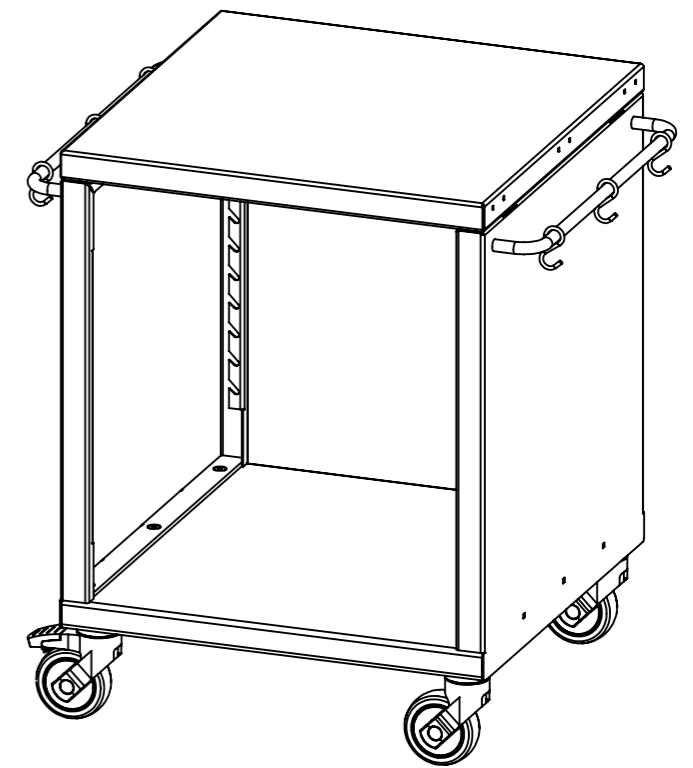
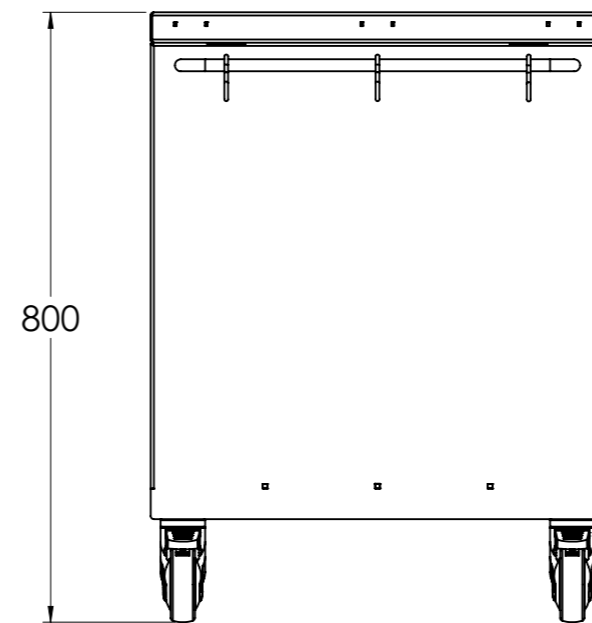
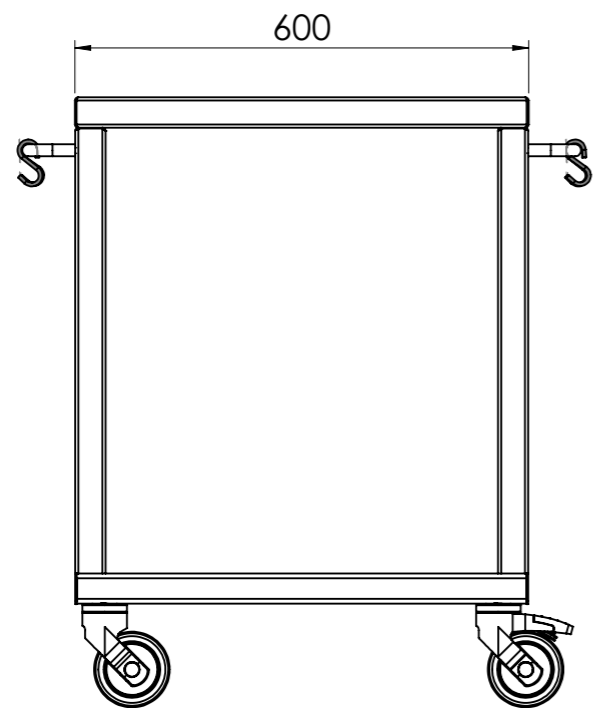
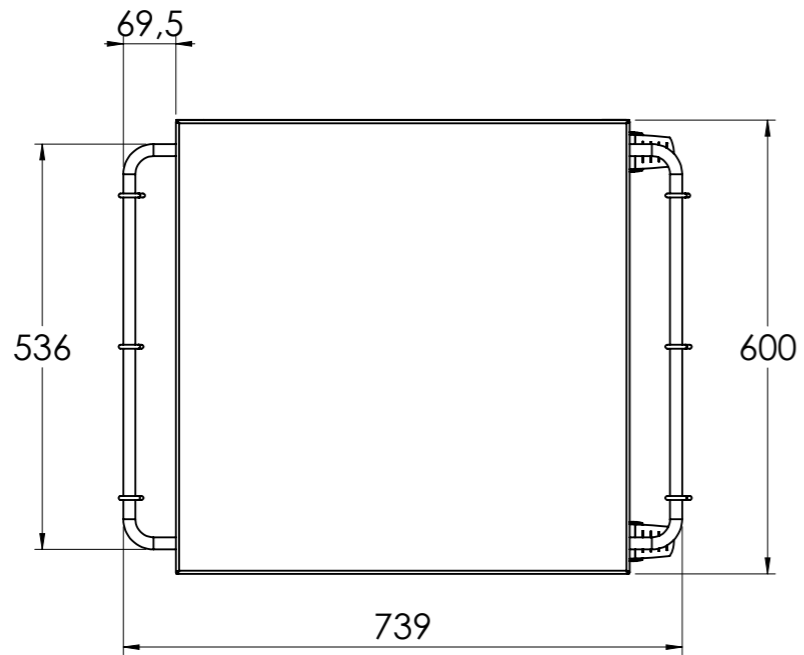


Rev.:	Description	Date	Sign.:
b	Added sparepart column	05-02-2021	NRN

Revisions		Sign.:	Date:
		LAH	08.09.2016

Dim. without indication of margin acc. to DS/ISO 2768-1 m	Title:	Construction:	LAH	Date:	08.09.2016
Material:	Terra table	Released:			
Weight kg: 52,03	Terra table	Format:	A3		
Model no.	Morsø Outdoor Living	Scale:	1:10		
Drawingtype: Assembly drawing		Itemno.:	62984300		
Location of file:		Drawing no.:	9001-400 b		

SURFACE POWDER COATED MAT BLACK RALL 9005



Date of print: 05-02-2021

	Title:	Construction:	LAH	Sign.:	Date:
Dim. without indication of margin acc. to DS/ISO 2768-1 m	Terra table	Released:			08.09.2016
Material:	Terra table	Format:	A3		
Weight kg:	52,03	Scale:	1:10		
Model no.	Morsø Outdoor Living	Itemno.:	62984300		
Drawingtype:	Assembly drawing	Drawing no.:	9001-400 b		
Location of file:					

This drawing is Morsø Jernstøberi A/S' property and must not be sold, lended or copied without any written authorization from the company.