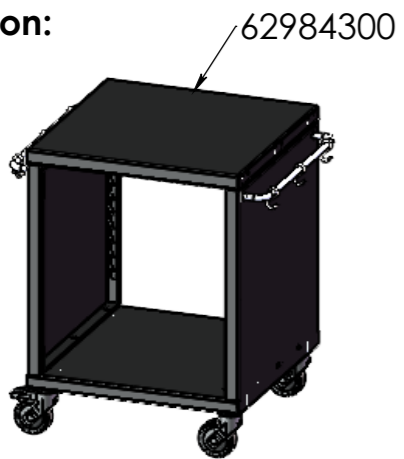
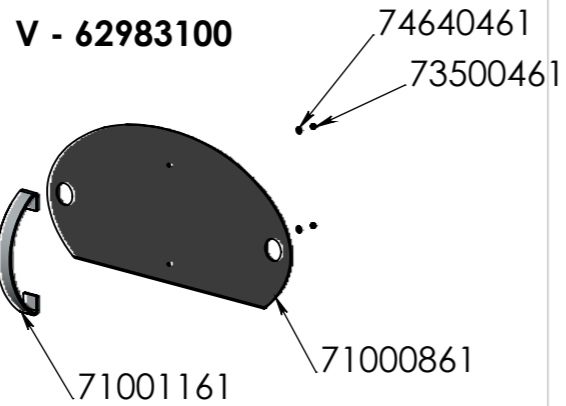


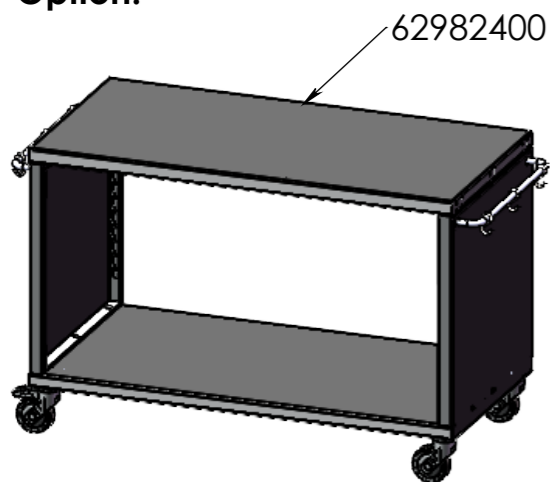
Option:



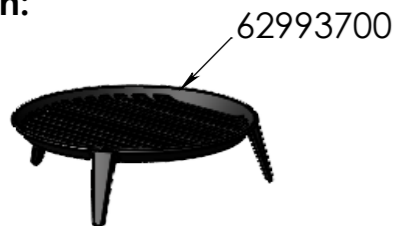
Option:



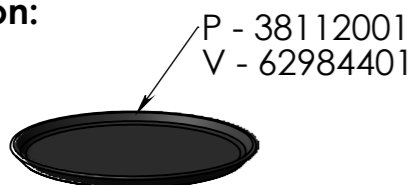
Option:



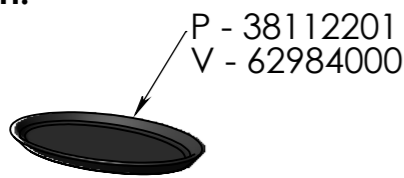
Option:



Option:



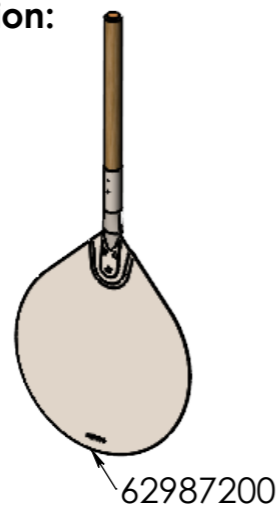
Option:



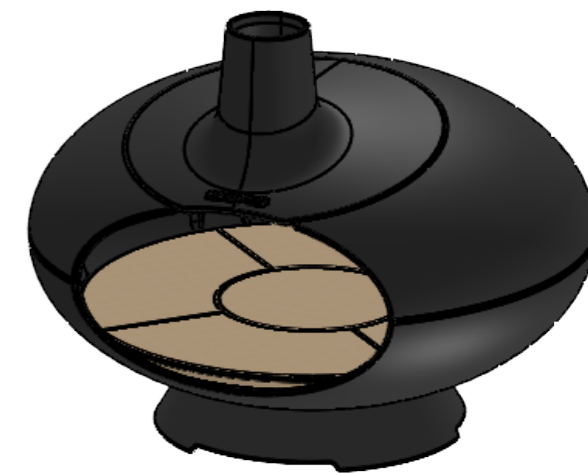
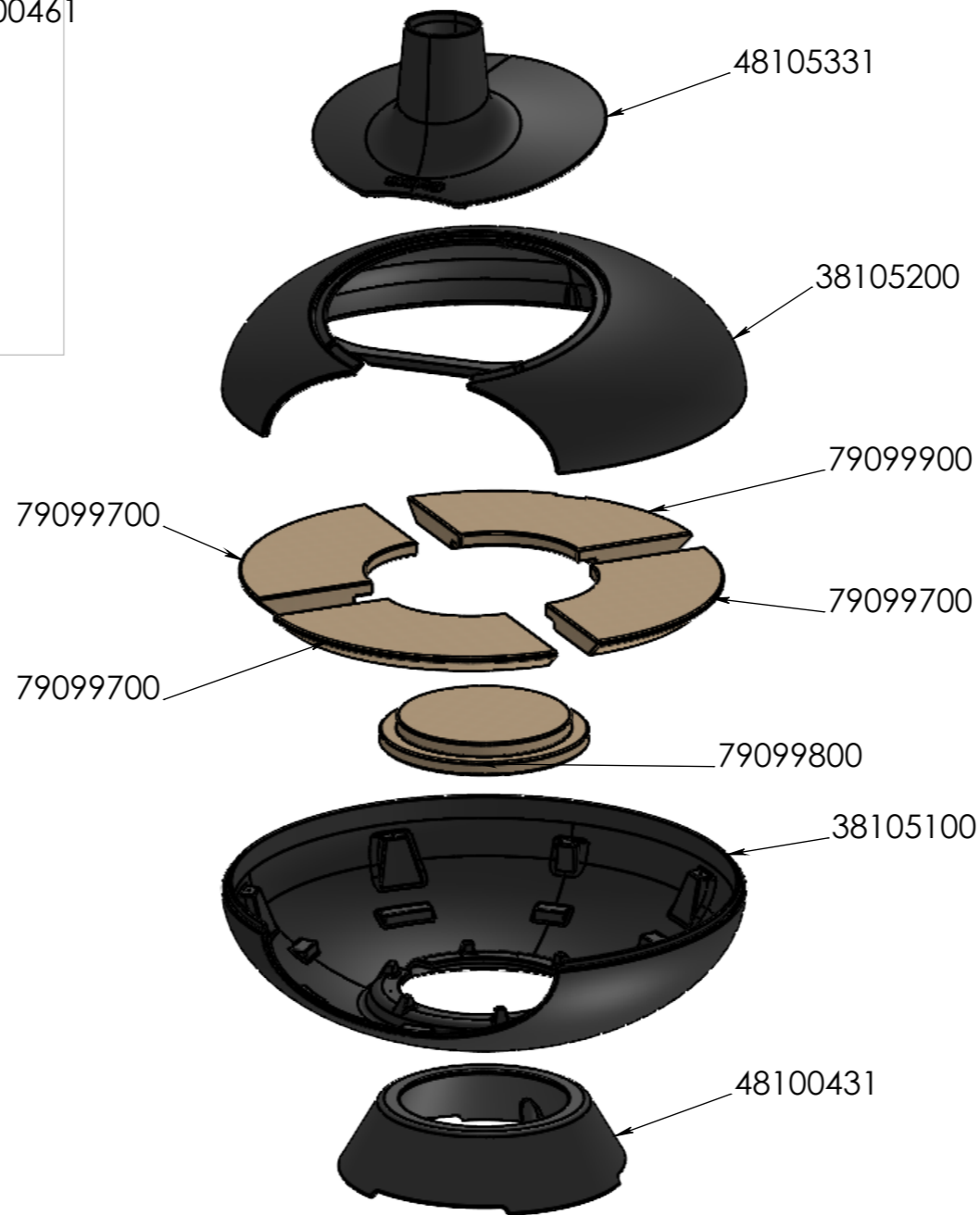
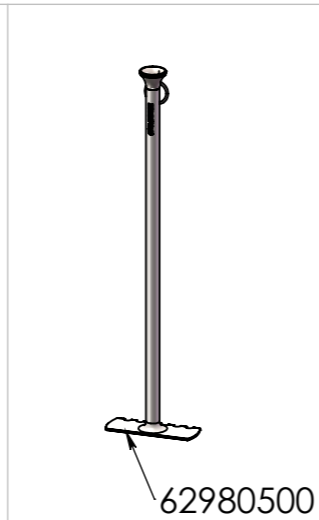
Option:

62981200
Cover til Forno

Option:




Option:



Rev.:	Description	Date	Sign.:
e	Updated options	28/03/2022	NRN
d	Changed to Forno II.	29-05-2017	RSV
c	Changed item no. for new paint.	10-12-2014	RSV
b	Added options.	04-06-2013	RSV

Revisions			
Construction:	RSV	03.06.2013	
Released:	RSV	05.12.2014	
Format:	A3		
Scale:	1:10		
Itemno.:	62980500		
Drawing no.:	9001-502 e		

Dim. without indication of margin acc. to DS/ISO 2768-1 m		Title:	
Material:		Reservedelstegning	
Weight kg:		Exploded drawing	
Model no.:		Morsø Forno II	
Drawingtype:	Product drawing		
Location of file:	C:\MorsøPDM\Projects\Outdoor\Outdoor tilbehør\Askeskraber\9001-024 Askeskraber.SLDASM		

This drawing is Morsø Jernstøberi A/S' property and must not be sold, lended or copied without any written authorization from the company.

Date of print: 28/03/2022